



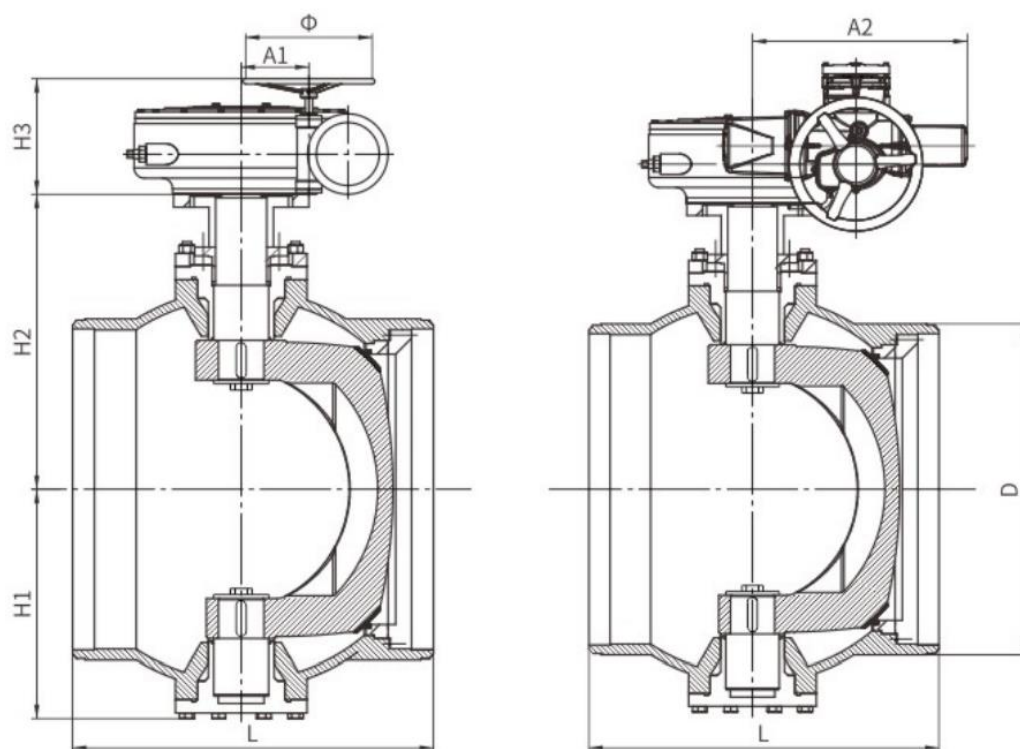
ZZJG VALVE

Welded Eccentric Half Ball Valve



ZHENGZHOU JINGGONG VALVE CO., LTD

Welded Eccentric Half Ball Valve



Type1- PBQ367H-2.5/6/10/16 DN200~DN1600 8"~64" Class150

Worm Gear Operated Welded Eccentric Half Ball Valve

DN (mm)	L	H1	H2	H3	A1	A2	Φ	D
200	430	190	305	127	220	93	320	219
250	470	230	365	157	287	123	400	273
300	500	255	385	157	287	123	400	325
350	570	310	430	178	347	180	390	377
400	600	335	465	178	347	180	390	426
450	710	375	550	216	410	217	390	480
500	760	405	580	216	410	217	390	530
600	880	470	670	235	521	281	500	630
700	950	510	720	235	521	281	500	720
800	980	585	845	243	560	258	630	820
900	1060	680	925	243	560	258	630	920
1000	1140	705	955	310	658	290	800	1020
1200	1350	900	1050	310	658	290	800	1220
1400	1580	995	1100	355	750	348	900	1420
1600	1780	1135	1200	480	990	595	1000	1620

Type2- PBQ967H-2.5/6/10/16 DN200~DN1600 8"~64" Class150

Electric Operated Welded Eccentric Half Ball Valve

DN(mm)	L	H1	H2	H3	A1	A2	Φ	D
200	430	190	305	302	240	175	300	219
250	470	230	365	410	552	101	360	273
300	500	255	385	410	552	101	360	325

350	570	310	430	473	625	152	500	377
400	600	335	465	473	625	152	500	426
450	710	375	550	473	625	152	500	480
500	760	405	580	488	680	375	500	530
600	880	470	670	488	680	375	500	630
700	950	510	720	488	680	375	500	720
800	980	585	845	550	412	757	300	820
900	1060	680	925	550	412	757	300	920
1000	1140	705	955	600	452	830	400	1020
1200	1350	900	1050	670	452	830	400	1220
1400	1580	995	1100	680	475	943	305	1420
1600	1780	1135	1200	885	475	943	305	1620

The company strictly controls and gate-keeping the quality of each link and each process.since the product design is included in an extremely rigorous and precise program,from design,material selection, manufacturing,assembly to operation,every step has to undergo a rigorous testing process to control the precision to the most rigorous,and to control the product quality to the best.Let customers feel the rigorous and pragmatic quality purpose while using them.



CONTACT US!

ZHENGZHOU JINGGONG VALVE CO., LTD

Phone: +86-371-55659925

Mobile: 0086 18135671959

Email: info@zzjgvalve.com

Website: www.zzjgvalve.com

Factory Address: Chuangye Road, Gaoshan Town, Zhengzhou City, China