



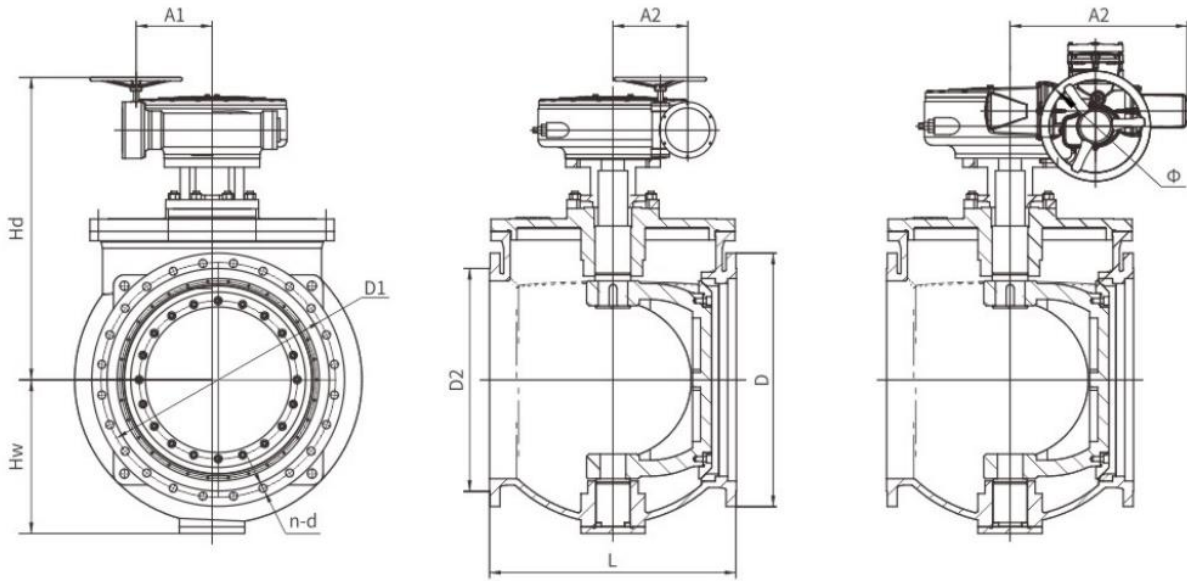
**ZZJG VALVE**

## **Top Entry Eccentric Half Ball Valve**



**ZHENGZHOU JINGGONG VALVE CO., LTD**

# Top Entry Eccentric Half Ball Valve



SPBQ47H-10/16 DN100~DN1400 4"~56" Class150

Top Entry Eccentric Half Ball Valve

DN(mm)	L	D	D1	D2	b	n-d	Hw	Hd
<b>PN10</b>								
100	229	215	180	155	22	8-Φ18	330	380
125	254	245	210	185	24	8-Φ18	345	405
150	267	280	240	210	24	8-Φ23	370	440
200	292	335	295	265	24	8-Φ23	405	470
250	330	390	350	320	26	12-Φ23	480	540
300	356	440	400	368	28	12-Φ23	520	580
350	450	500	460	428	28	16-Φ23	570	630
400	530	565	515	482	30	16-Φ25	630	710
450	580	615	565	532	30	20-Φ25	690	770
500	660	670	620	585	32	20-Φ25	740	820
600	680	780	725	685	36	20-Φ30	840	940
700	900	895	840	794	34	24-Φ30	960	1040
800	1000	1015	950	901	36	24-Φ33	1080	1180
900	1100	1115	1050	1001	38	28-Φ33	1190	1280
1000	1200	1230	1160	1112	38	28-Φ36	1310	1420
1200	1300	1455	1380	1328	44	32-Φ39	1420	1530
1400	1500	1675	1590	1530	48	36-Φ42	1540	1650
<b>PN16</b>								
100	229	215	180	155	20	8-Φ18	330	380
125	254	245	210	185	22	8-Φ18	345	405
150	267	280	240	210	24	8-Φ23	370	440
200	292	335	295	265	26	12-Φ23	405	470
250	330	405	355	320	30	12-Φ25	480	540
300	356	460	410	375	30	12-Φ25	520	580
350	450	520	470	435	34	16-Φ25	570	630

400	530	580	525	485	36	16-Φ30	630	710
450	580	640	585	545	40	20-Φ30	690	770
500	660	705	650	608	44	20-Φ34	740	820
600	680	840	770	718	48	20-Φ41	840	940
700	900	910	840	788	50	24-Φ41	960	1040
800	1000	1020	950	898	52	24-Φ41	1080	1180
900	1100	1120	1050	998	54	28-Φ41	1190	1280
1000	1200	1255	1170	1110	56	28-Φ48	1310	1420
1200	1300	1485	1390	1325	58	32-Φ54	1420	1530
1400	1500	1685	1590	1525	60	36-Φ54	1540	1650

The company strictly controls and gate-keeping the quality of each link and each process.since the product design is included in an extremely rigorous and precise program,from design,material selection, manufacturing,assembly to operation,every step has to undergo a rigorous testing process to control the precision to the most rigorous,and to control the product quality to the best.Let customers feel the rigorous and pragmatic quality purpose while using them.



## CONTACT US!

ZHENGZHOU JINGGONG VALVE CO., LTD

Phone: +86-371-55659925

Mobile: 0086 18135671959

Email: info@zzjgvalve.com

Website: www.zzjgvalve.com

Factory Address: Chuangye Road, Gaoshan Town, Zhengzhou City, China