



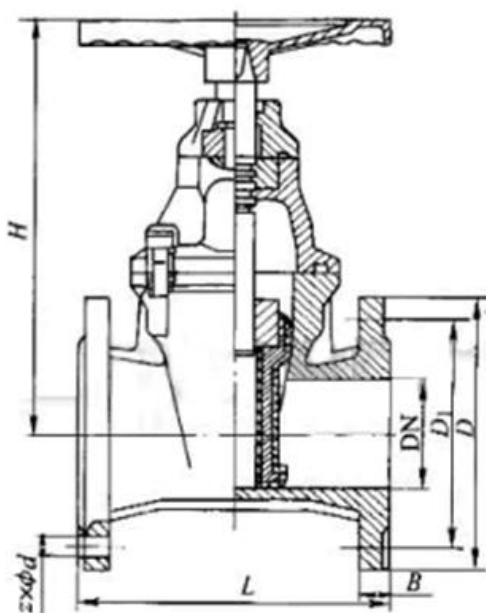
ZZJG VALVE

Resilient Seated Gate Valve (Non-rising Stem)



ZHENGZHOU JINGGONG VALVE CO., LTD

Resilient Seated Gate Valve (Non-rising Stem)



Z40X-10/16 DN50~DN600mm 2"~24" Class150

Non-rising Stem Resilient Seated Gate Valve

| DN | | L/mm | D/mm | | D ₁ | | z×φd | | B/mm | H/mm |
|-----|-----|------|------|-----|----------------|------|--------|--------|------|------|
| mm | in | | | | PN10 | PN16 | PN10 | PN16 | | |
| 50 | 2 | 178 | 165 | | 125 | | 4×φ19 | | 19 | 340 |
| 65 | 2.5 | 190 | 185 | | 145 | | 4×φ19 | | 19 | 370 |
| 80 | 3 | 203 | 200 | | 160 | | 8×φ19 | | 19 | 410 |
| 100 | 4 | 229 | 220 | | 180 | | 8×φ19 | | 19 | 450 |
| 125 | 5 | 254 | 250 | | 210 | | 8×φ19 | | 19 | 480 |
| 150 | 6 | 267 | 285 | | 240 | | 8×φ23 | | 19 | 550 |
| 200 | 8 | 292 | 340 | | 295 | | 8×φ23 | 12×φ23 | 20 | 630 |
| 250 | 10 | 330 | 405 | | 350 | 355 | 12×φ23 | 12×φ28 | 22 | 750 |
| 300 | 12 | 356 | 460 | | 400 | 410 | 12×φ23 | 12×φ28 | 24.5 | 820 |
| 350 | 14 | 381 | 520 | | 460 | 470 | 12×φ23 | 12×φ28 | 26.5 | 980 |
| 400 | 16 | 406 | 580 | | 515 | 525 | 16×φ28 | 16×φ31 | 28 | 1010 |
| 450 | 18 | 432 | 640 | | 565 | 585 | 20×φ28 | 20×φ31 | 30 | 1270 |
| 500 | 20 | 457 | 715 | | 620 | 650 | 20×φ28 | 20×φ34 | 31.5 | 1270 |
| 600 | 24 | 508 | 810 | 840 | 725 | 770 | 20×φ31 | 20×φ37 | 36 | 1390 |



CONTACT US!

ZHENGZHOU JINGGONG VALVE CO., LTD

Phone: +86-371-55659925

Mobile: 0086 18135671959

Email: info@zzjgvalve.com

Website: www.zzjgvalve.com

Factory Address: Chuangye Road, Gaoshan Town, Zhengzhou City, China