



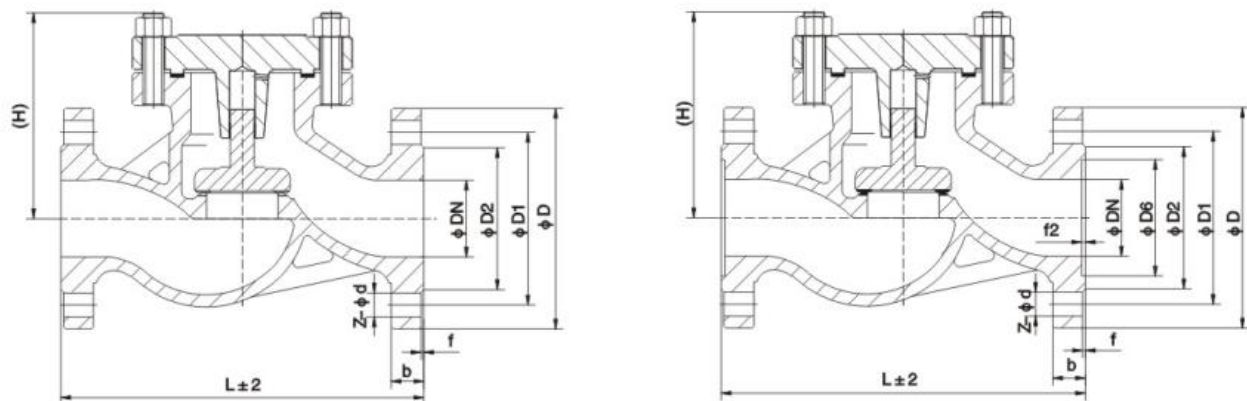
**ZZJG VALVE**

**Lift Check Valve**



**ZHENGZHOU JINGGONG VALVE CO., LTD**

# Lift Check Valve



H41H/H41Y DN15~DN300 1/2"~12" Class150/Class300/Class600

Lift Check Valve

DN (mm)	Main Dimensions						
	L	D	D1	D2	b	Z-d	H
H41H-16C H41W-16C H41W-16P H41W-16R H41W-16I							
15	130	95	65	45	14	4-14	77
20	150	105	75	55	14	4-14	77
25	160	115	85	65	14	4-14	80
32	180	135	100	75	16	4-18	85
40	200	145	110	85	16	4-18	95
50	230	160	125	100	16	4-18	105
65	290	180	145	120	18	4-18	120
80	310	195	160	135	20	8-18	130
100	350	215	180	155	20	8-18	140
125	400	245	210	185	22	8-18	155
150	480	280	240	210	24	8-23	180
200	600	335	295	265	26	12-23	215
250	730	405	355	320	30	12-25	260
300	850	460	410	375	34	12-25	315
H41H-25 H41W-25 H41W-25P H41W-25R H41W-25I							
15	130	95	65	45	16	4-14	100
20	150	105	75	55	16	4-14	105
25	160	115	85	65	16	4-14	120
32	180	135	100	78	18	4-18	130
40	200	145	110	85	18	4-18	135
50	230	160	125	100	20	4-18	149
65	290	180	145	120	22	8-18	160
80	310	195	160	135	22	8-18	169
100	350	230	190	160	24	8-23	194
125	400	270	220	180	28	8-25	222
150	480	300	250	218	30	8-25	255

200	600	360	310	278	34	12-25	305
250	730	425	370	332	36	12-30	355
300	850	485	430	390	40	16-30	410



## CONTACT US!

ZHENGZHOU JINGGONG VALVE CO., LTD

Phone: +86-371-55659925

Mobile: 0086 18135671959

Email: [info@zzjgvalve.com](mailto:info@zzjgvalve.com)

Website: [www.zzjgvalve.com](http://www.zzjgvalve.com)

Factory Address: Chuangye Road, Gaoshan Town, Zhengzhou City, China