



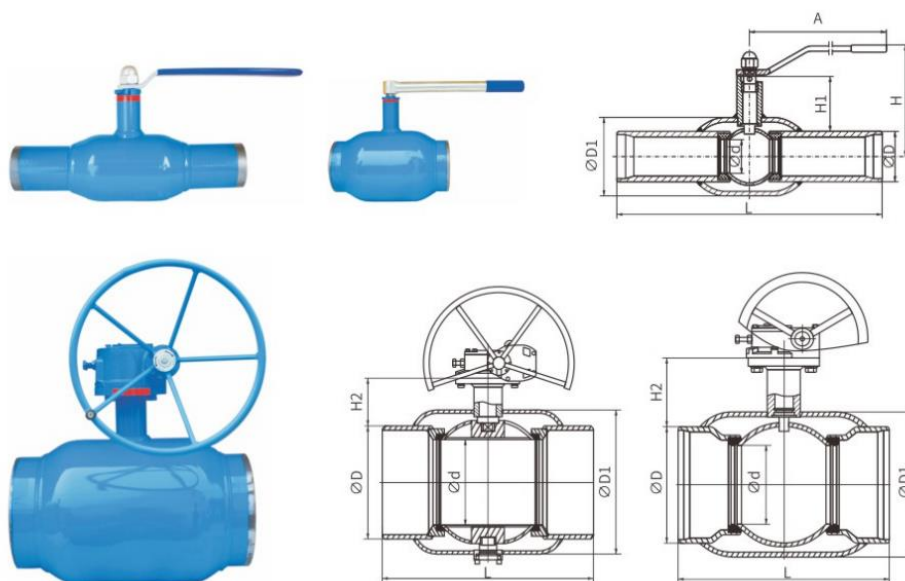
ZZJG VALVE

High Temperature Welding Ball Valve



ZHENGZHOU JINGGONG VALVE CO., LTD

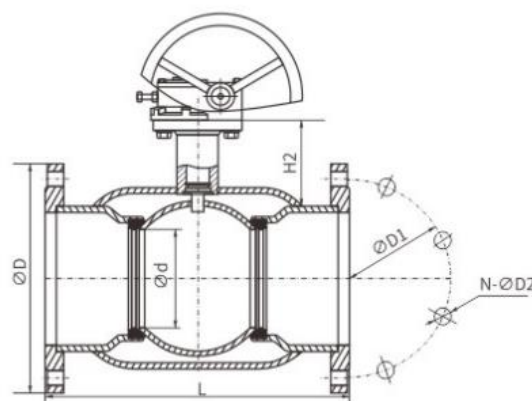
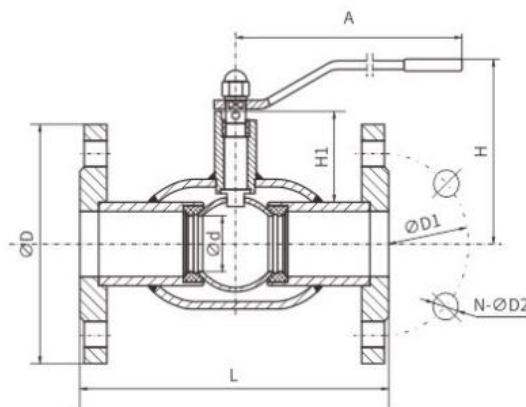
High Temperature Welding Ball Valve



Type1- Q61F-25/Q361F-25/Q367F-25 DN15~DN1600 1/2"~64" Class300

Full Welded Ball Valve

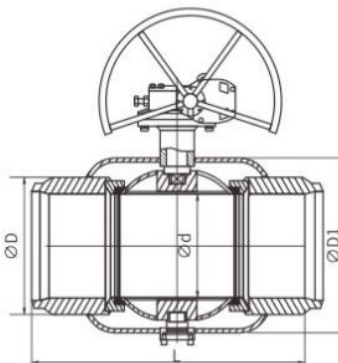
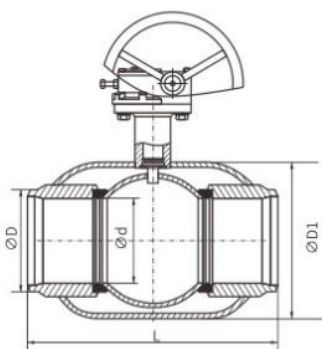
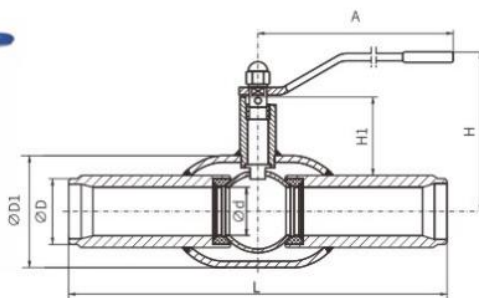
DN(mm)	PN	L	A	H	H1	H2	d	D(GB)	D(DIN)	D1
15	25	230	120	93	41		10	22	21.3	42.4
20	25	230	120	97	43		15	25	26.9	42.4
25	25	230	150	103	42		20	32	33.7	48.3
32	25	260	150	109	44		25	38	42.4	60.3
40	25	260	190	119	60		32	45	48.3	76.1
50	25	300	190	125	61		40	57	60.3	88.9
65	25	300	275	183	74	73	50	73	76.1	114.3
80	25	300	275	196	80	79	65	89	88.9	139.7
100	25	325	275	219	100	90	80	108	114.3	168.3
125	25	325	415	242	91	910	100	133	139.7	177.8
150	25	350	540	248	100	112	125	159	168.3	219.1
200	25	400	745	275	105	95	150	219	219.1	273
250	25		530			126	200	273	273	355.6
300	25		550			149	250	325	323.9	426
350	25		686			167	290	377	355.6	508
400	25		762			184	350	426	406.4	558.8
450	25		840			189	350	480	478	630
500	25		991			221	400	529	508	680
600	25		1065			252	500	630	609.6	830
700	25		1346			298	600	720	711.2	994
800	25		1524			354	700	820	812.8	1148
900	25		1727			400	781	920	914.4	1252
1000	25		1900			452	874	1020	1016	1406
1200	25		2100			497	1020	1220	1219.2	1714
1400	25		2430			582	1166	1420	1422	1870
1600	25		2680			695	1458	1620	1626	2500



Type2- Q41F-16C/Q341F-16C/Q347F-16C DN15~DN400 1/2"~16" Class150

Flanged Welded Ball Valve

DN(mm)	PN	PN(Flange)	L	A	H	H1	H2	d	D	D1	N-ØD2
15	25	16	130	120	93	41		10	95	65	4-Ø14
20	25	16	150	120	97	43		15	105	75	4-Ø14
25	25	16	160	150	103	42		20	115	85	4-Ø14
32	25	16	180	150	109	44		25	140	100	4-Ø18
40	25	16	200	190	119	60		32	150	110	4-Ø18
50	25	16	230	190	125	61		40	165	125	4-Ø18
65	25	16	270	275	183	74	73	50	185	145	4-Ø18
80	25	16	280	275	196	80	79	65	200	160	8-Ø18
100	25	16	300	275	219	100	90	80	220	180	8-Ø18
125	25	16	325	415	242	91	91	100	250	210	8-Ø18
150	25	16	350	540	248	100	112	125	285	240	8-Ø22
200	25	16	410	745	275	105	95	150	340	295	12-Ø22
250	25	16	500				126	200	405	355	12-Ø26
300	25	16	590				149	250	460	410	12-Ø26
350	25	16	690				167	290	520	470	16-Ø26
400	25	16	750				184	350	580	525	16-Ø30



Type3- Q16F-25F/Q316F-25F/Q317F-25F DN15~DN1200 1/2"~48" Class300

Full Welded Ball Valve (full bore)

DN(mm)	PN	L	A	H	H1	d	D(GB)	D(DIN)	D1
15	25	230	120	97	45	15	22	21.3	42.4
20	25	230	150	103	46	20	25	26.9	48.3
25	25	260	150	109	48	25	32	33.7	60.3
32	25	260	190	119	63	32	38	42.4	76.1
40	25	300	190	125	67	40	45	48.3	88.9
50	25	300	275	183	82	50	57	60.3	114.3
65	25	300	275	196	87	65	73	76.1	139.7
80	25	325	275	219	104	80	89	88.9	168.3
100	25	325	415	242	104	100	108	114.3	177.8
125	25	350	540	248	118	125	133	139.7	219.1
150	25	400	745	275	130	150	159	168.3	273
200	25	530				200	219	219.1	335.6
250	25	550				250	273	273	426
300	25	686				290	325	323.9	508
350	25	762				350	377	355.6	558.8
400	25	991				400	426	406.4	680
500	25	1065				500	529	508	830
600	25	1346				600	630	509.6	994
700	25	1524				700	720	711.2	1148
800	25	1727				781	820	812.8	1252
900	25	1900				874	920	914.4	1406
1100	25	2100				1020	1020	1016	1714
1200	25	2430				1166	1220	1219.2	1870

The company strictly controls and gate-keeping the quality of each link and each process.since the product design is included in an extremely rigorous and precise program,from design,material selection, manufacturing,assembly to operation,every step has to undergo a rigorous testing process to control the precision to the most rigorous,and to control the product quality to the best.Let customers feel the rigorous and pragmatic quality purpose while using them.



CONTACT US!

ZHENGZHOU JINGGONG VALVE CO., LTD

Phone: +86-371-55659925

Mobile: 0086 18135671959

Email: info@zzjgvalve.com

Website: www.zzjgvalve.com

Factory Address: Chuangye Road, Gaoshan Town, Zhengzhou City, China