



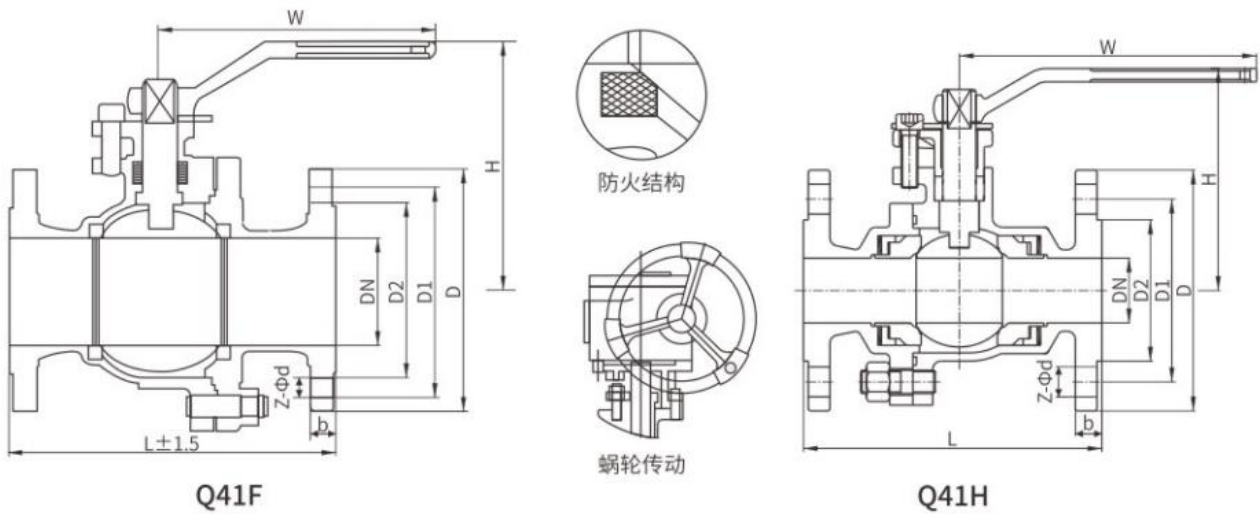
ZZJG VALVE

Flanged Floating Ball Valve



ZHENGZHOU JINGGONG VALVE CO., LTD

Flanged Floating Ball Valve



Q41F/H-16/25/40/64 DN15~DN300 1/2"~12" Class150/Class300/Class400

Flanged Floating Ball Valve

DN(mm)	L	D	D1	D2	b	Z-φd	H	W
PN16								
15	130	95	65	45	14	4-φ14	78	130
20	130/140	105	75	55	14	4-φ14	84	130
25	140/150	115	85	65	14	4-φ14	95	160
32	165	135/140	100	78	16	4-φ18	150	160
40	165/180	145/150	110	85	16	4-φ18	150	180
50	203/200	160/165	125	100	16	4-φ18	170	200
65	222/220	180/185	145	120	18	4-φ18	195	240
80	241/250	195/200	160	135	20	8-φ18	215	240
100	305/280	215/220	180	155	20	8-φ18	250	280
125	356/320	245/250	210	185	22	8-φ18	265	300
150	394/360	280/285	240	210	24	8-φ23	270	300
200	400/457	335/340	295	265	26	12-φ23	330	350
250	533	405	355	320	30	12-φ26	450	400
300	610	460	410	375	30	12-φ26	540	500
PN25								
15	130	95	65	45	16	4-φ14	103	130
20	130/140	105	75	55	16	4-φ14	112	130
25	140/150	115	85	65	16	4-φ14	123	160
32	165	135/140	100	78	18	4-φ18	150	160
40	165/180	145/150	110	85	18	4-φ18	156	180
50	200/203	160/165	125	100	20	4-φ18	172	200
65	220/222	180/185	145	120	22	8-φ18	197	240
80	241/250	195/200	160	135	22	8-φ18	222	240
100	280/305	230/235	190	160	24	8-φ23	253	280
125	320/356	270	220	188	28	8-φ25	275	300
150	360/394	300	250	218	30	8-φ25	286	300
200	400/457	360	310	278	34	12-φ25	340	350

250	533	425	370	332	36	12-Φ30	470	400
PN40								
15	140/130	95	65	45	16	4-Φ14	103	130
20	152/140	105	75	55	16	4-Φ14	112	130
25	165/150	115	85	65	16	4-Φ14	123	160
32	178/180	135/140	100	78	18	4-Φ18	150	160
40	190/200	145/150	110	85	18	4-Φ18	156	180
50	216/220	160/165	125	100	20	4-Φ18	172	200
65	241/250	180/185	145	120	22	8-Φ18	197	240
80	283/280	195/200	160	135	22	8-Φ18	222	240
100	305/320	230/235	190	160	24	8-Φ23	253	280
125	381/400	270	220	188	28	8-Φ25	275	300
150	403/400	300	250	218	30	8-Φ25	286	300
200	502/550	375	320	282	38	12-Φ30	340	350
250	568	445/450	385	345	42	12-Φ34	470	400
PN64								
15	140	105	75	55	18	4-Φ14	105	130
20	150	125/130	90	68	20	4-Φ18	125	130
25	180	135/140	100	78	22	4-Φ18	135	160
32	200	150/155	110	82	24	4-Φ23	150	160
40	220	165/170	125	95	24	4-Φ23	165	240
50	292/250	175/180	135	105	26	4-Φ23	175	240
65	330/280	200/205	160	130	28	8-Φ23	200	280
80	356/320	210/215	170	140	30	8-Φ23	210	300
100	432/360	250	200	168	32	8-Φ25	250	300
125	508/455	295	240	202	36	8-Φ30	295	350
150	495	340/345	280	240	38	8-Φ34	340	400

The company strictly controls and gate-keeping the quality of each link and each process.since the product design is included in an extremely rigorous and precise program,from design,material selection, manufacturing,assembly to operation,every step has to undergo a rigorous testing process to control the precision to the most rigorous,and to control the product quality to the best.Let customers feel the rigorous and pragmatic quality purpose while using them.



CONTACT US!

ZHENGZHOU JINGGONG VALVE CO., LTD

Phone: +86-371-55659925

Mobile: 0086 18135671959

Email: info@zzjgvalve.com

Website: www.zzjgvalve.com

Factory Address: Chuangye Road, Gaoshan Town, Zhengzhou City, China